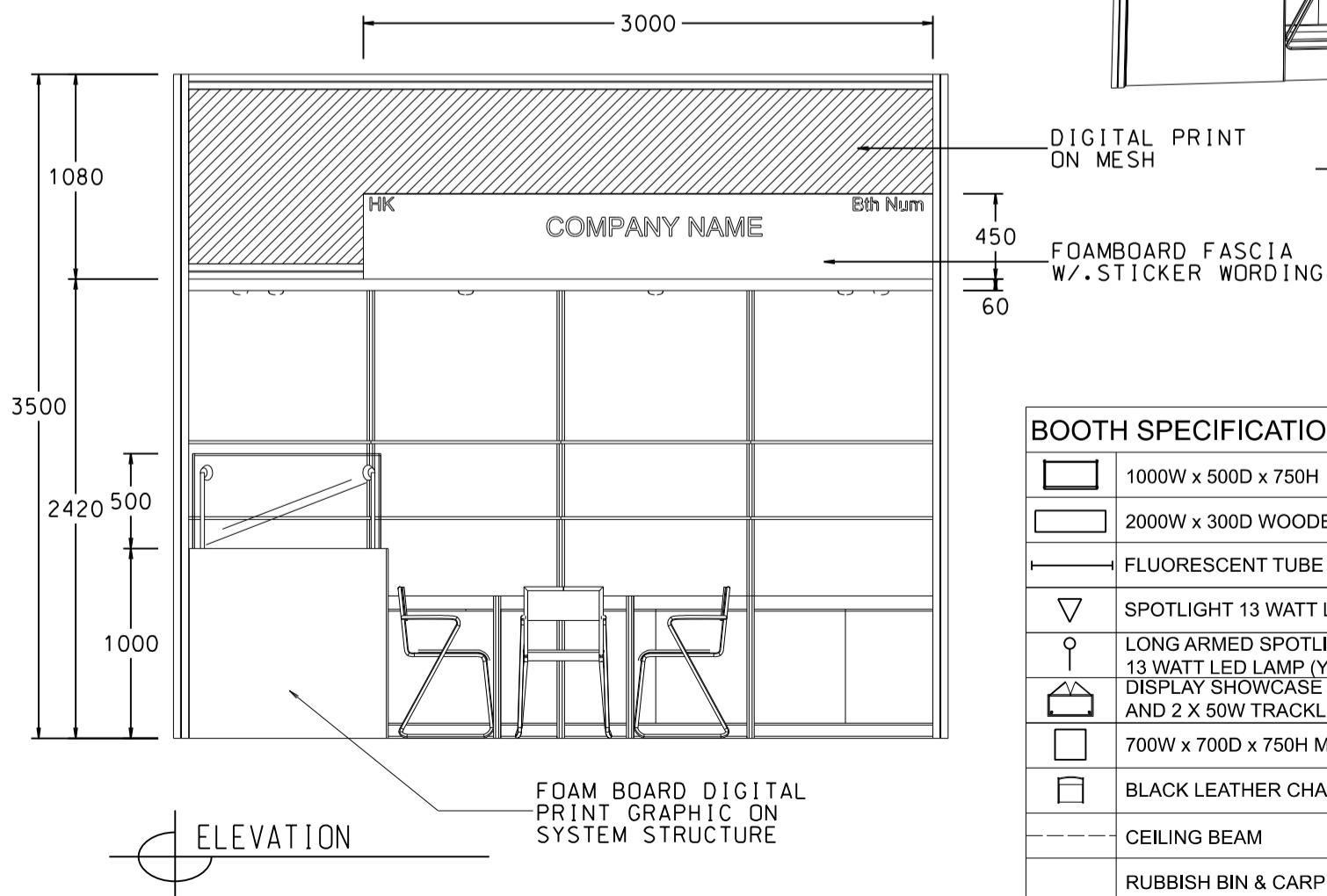
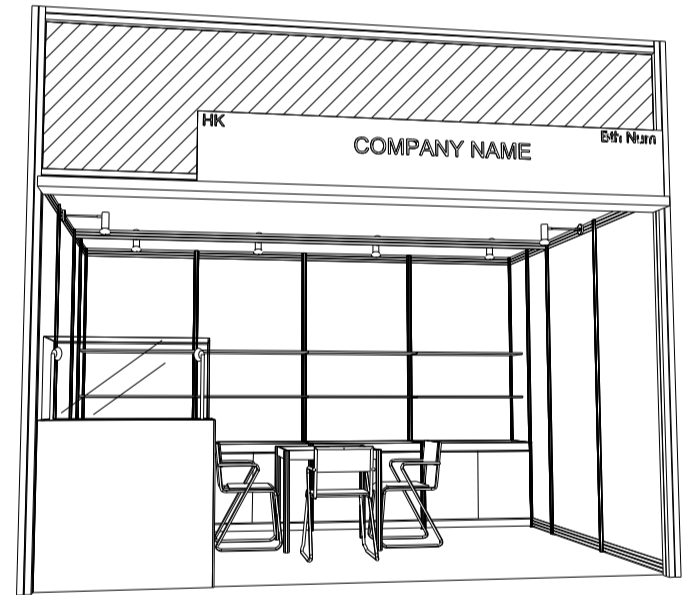
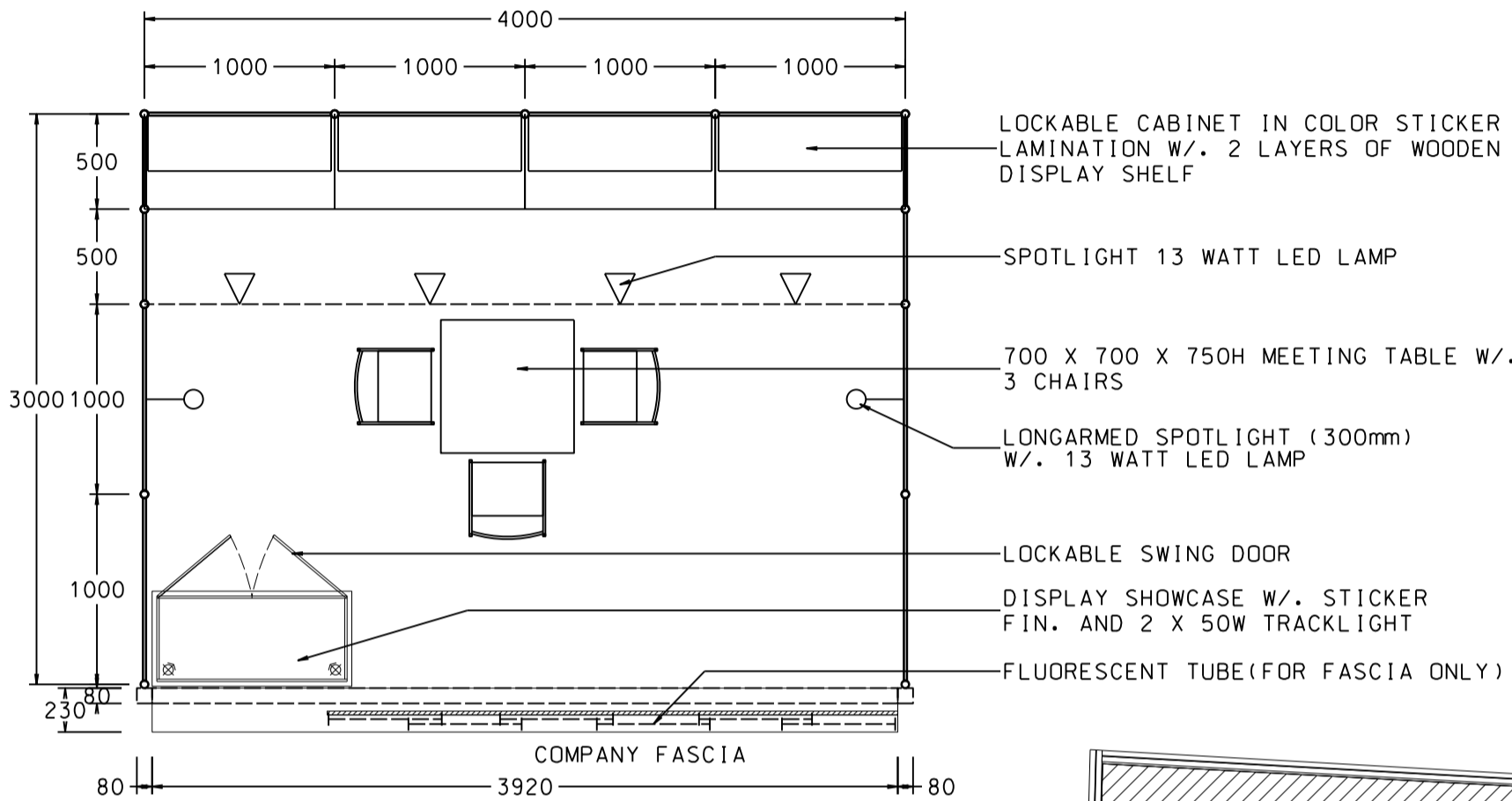


# Hong Kong Houseware Fair

## 香港家庭用品展

### 4M x 3M WORLD OF FINE DINING BOOTH

四米乘三米標準攤位



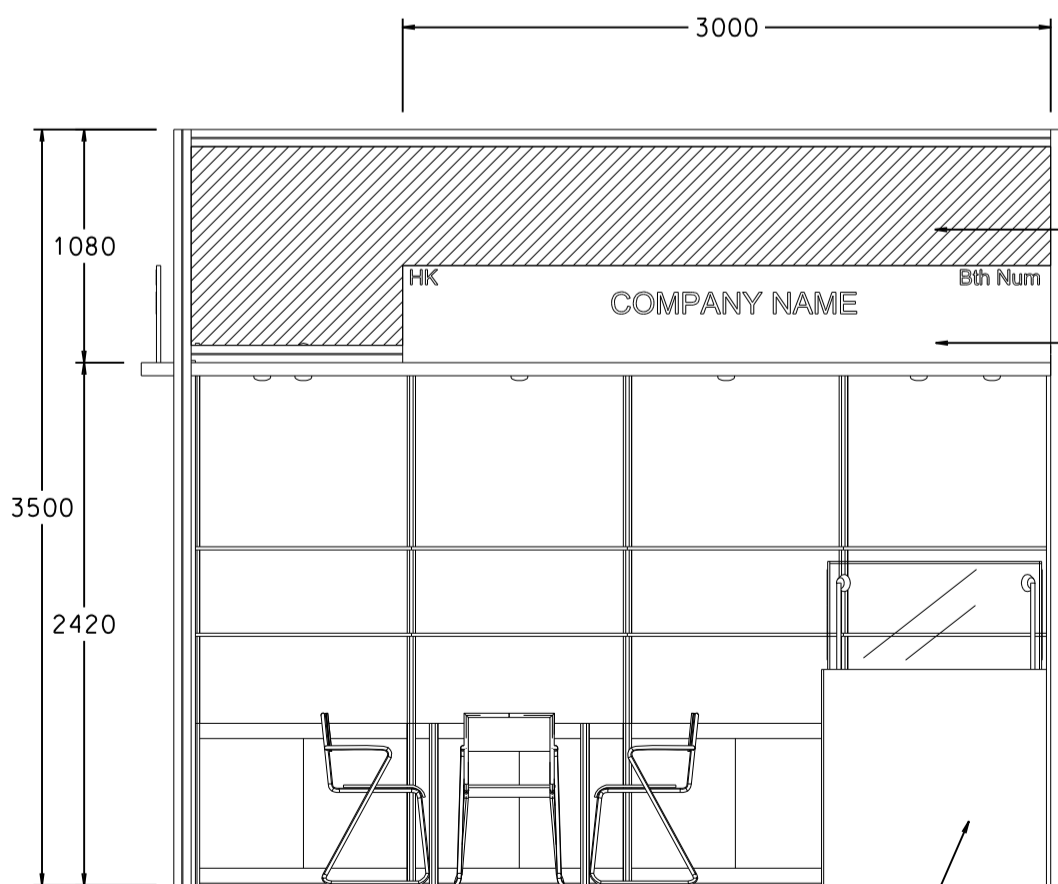
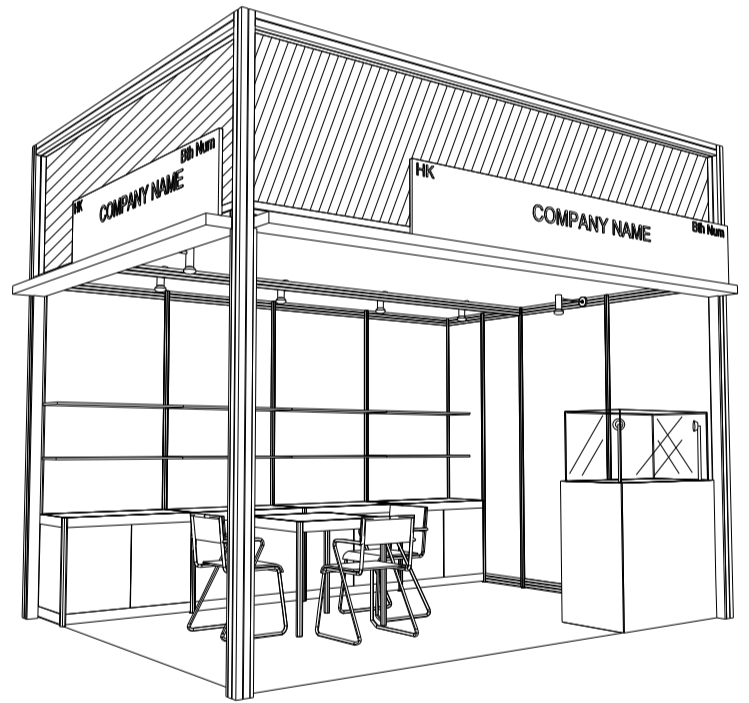
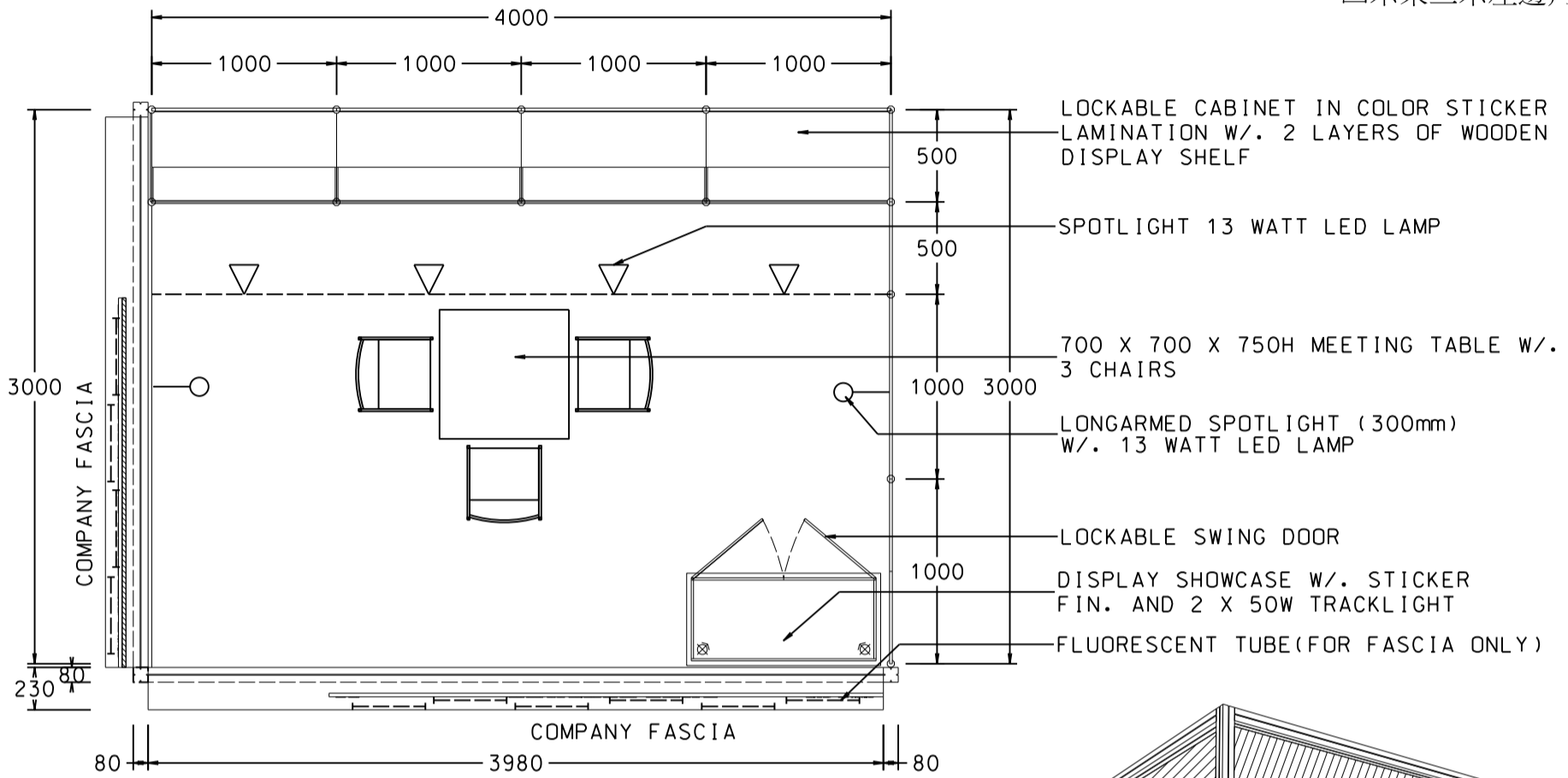
BOOTH SPECIFICATIONS		QTY.
	1000W x 500D x 750H LOCKABLE CABINET	4
	2000W x 300D WOODEN DISPLAY SHELF	4
	FLUORESCENT TUBE (FOR FASCIA ONLY)	6
	SPOTLIGHT 13 WATT LED LAMP (YELLOW LIGHT)	4
	LONG ARMED SPOTLIGHT (300MM) 13 WATT LED LAMP (YELLOW LIGHT)	2
	DISPLAY SHOWCASE W/. STICKER FIN. AND 2 X 50W TRACKLIGHT	1
	700W x 700D x 750H MEETING TABLE	1
	BLACK LEATHER CHAIR	3
	CEILING BEAM	4M
	RUBBISH BIN & CARPET (12sqm.)	

# Hong Kong Houseware Fair

## 香港家庭用品展

### 4M x 3M WORLD OF FINE DINING LEFT CORNER BOOTH

四米乘三米左邊角位攤位



DIGITAL PRINT ON MESH

450

60

FOAMBOARD FASCIA W/. STICKER WORDING

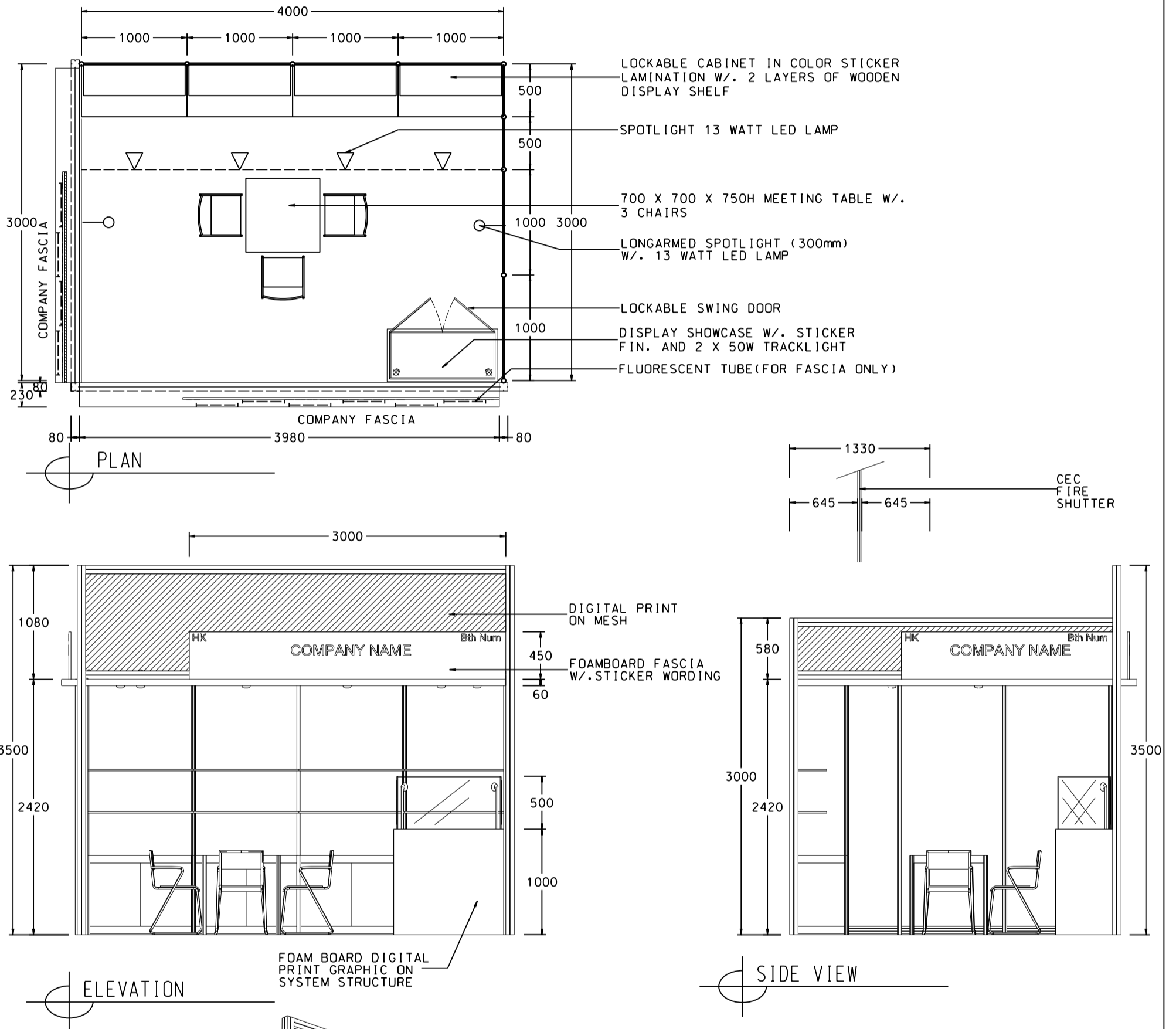


FOAM BOARD DIGITAL PRINT GRAPHIC ON SYSTEM STRUCTURE

BOOTH SPECIFICATIONS		QTY.
	1000W x 500D x 750H LOCKABLE CABINET	4
	2000W x 300D WOODEN DISPLAY SHELF	4
	FLUORESCENT TUBE (FOR FASCIA ONLY)	10
	SPOTLIGHT 13 WATT LED LAMP (YELLOW LIGHT)	4
	LONG ARMED SPOTLIGHT (300MM) 13 WATT LED LAMP (YELLOW LIGHT)	2
	DISPLAY SHOWCASE W/. STICKER FIN. AND 2 X 50W TRACKLIGHT	1
	700W x 700D x 750H MEETING TABLE	1
	BLACK LEATHER CHAIR	3
	CEILING BEAM	4M
	RUBBISH BIN & CARPET (12sqm.)	

### 4M x 3M WORLD OF FINE DINING LEFT CORNER BOOTH (UNDER FIRE CURTAIN)

四米乘三米左邊角位攤位(防火閘下)



BOOTH SPECIFICATIONS		QTY.
	1000W x 500D x 750H LOCKABLE CABINET	4
	2000W x 300D WOODEN DISPLAY SHELF	4
	FLUORESCENT TUBE (FOR FASCIA ONLY)	10
	SPOTLIGHT 13 WATT LED LAMP (YELLOW LIGHT)	4
	LONG ARMED SPOTLIGHT (300MM) 13 WATT LED LAMP (YELLOW LIGHT)	2
	DISPLAY SHOWCASE W/. STICKER FIN. AND 2 X 50W TRACKLIGHT	1
	700W x 700D x 750H MEETING TABLE	1
	BLACK LEATHER CHAIR	3
	CEILING BEAM	4M
	RUBBISH BIN & CARPET (12sqm.)	

\*The Hong Kong Trade Development Council reserves the right to change the configuration if necessary.

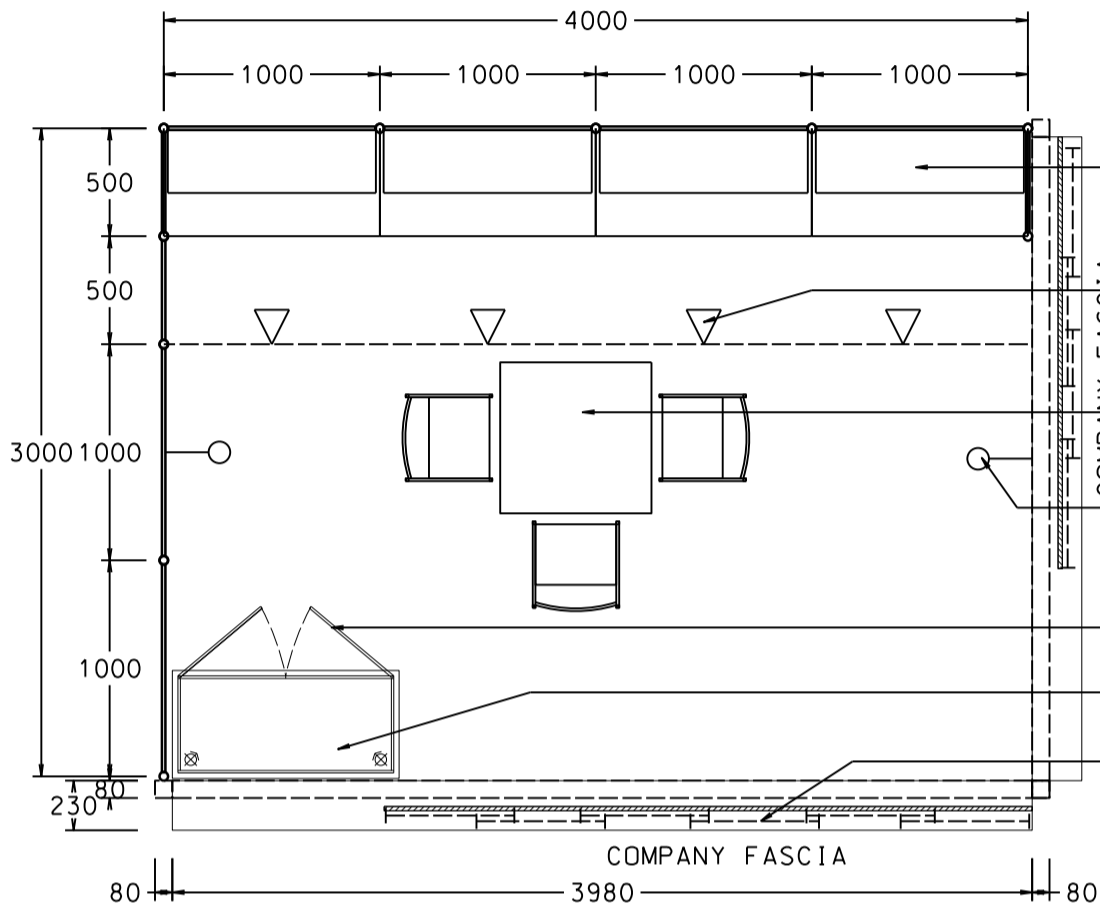
\*如有需要，香港貿易發展局有權更改攤位結構。

# Hong Kong Houseware Fair

## 香港家庭用品展

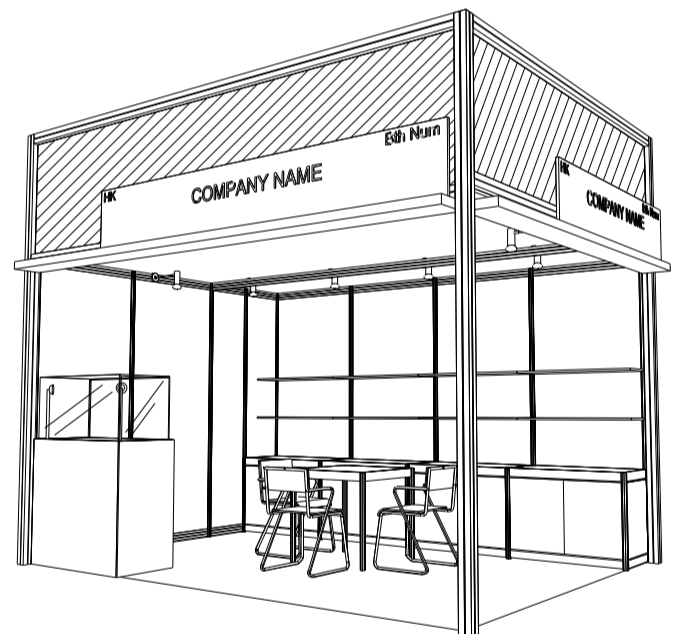
### 4M x 3M WORLD OF FINE DINING RIGHT CORNER BOOTH

四米乘三米右邊角位攤位

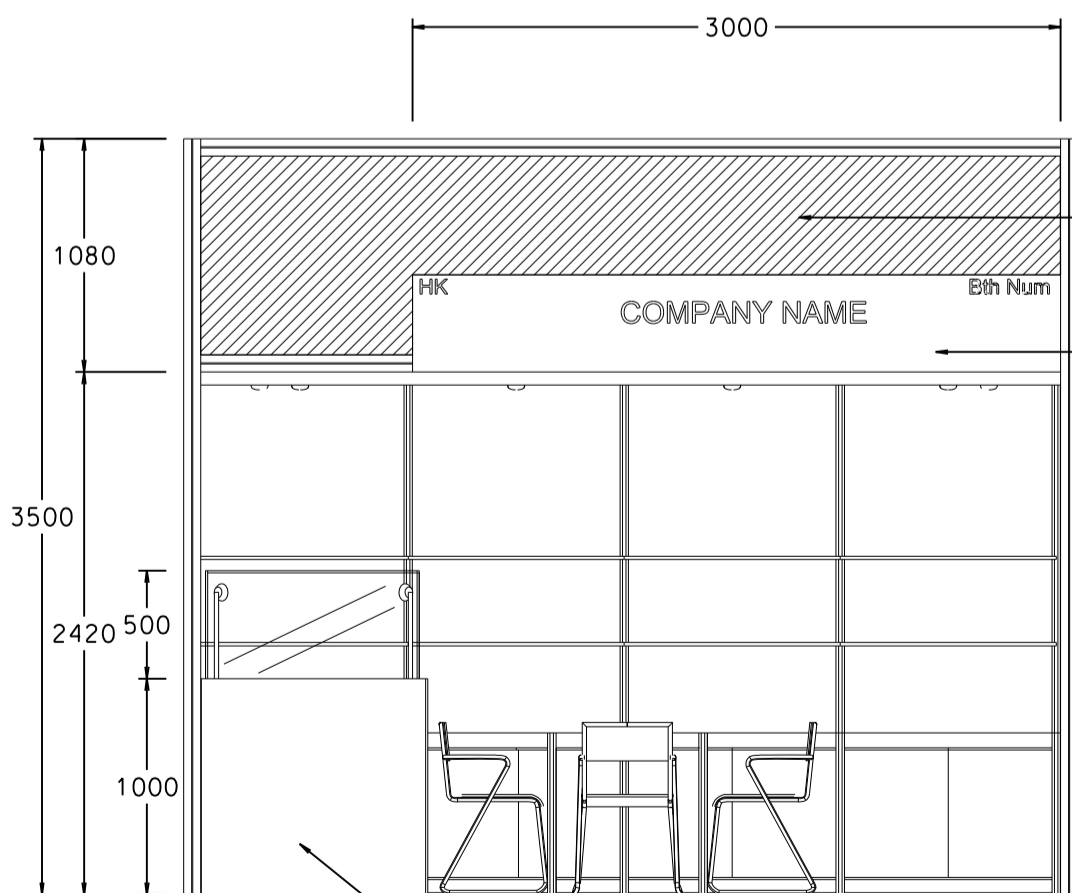


PLAN

- LOCKABLE CABINET IN COLOR STICKER LAMINATION W/. 2 LAYERS OF WOODEN DISPLAY SHELF
- SPOTLIGHT 13 WATT LED LAMP
- 700 X 700 X 750H MEETING TABLE W/. 3 CHAIRS
- LONG ARMED SPOTLIGHT (300mm) W/. 13 WATT LED LAMP
- LOCKABLE SWING DOOR
- DISPLAY SHOWCASE W/. STICKER FIN. AND 2 X 50W TRACKLIGHT
- FLUORESCENT TUBE (FOR FASCIA ONLY)



PERSPECTIVE



ELEVATION

FOAM BOARD DIGITAL PRINT GRAPHIC ON SYSTEM STRUCTURE

- DIGITAL PRINT ON MESH
- FOAMBOARD FASCIA W/. STICKER WORDING

BOOTH SPECIFICATIONS		QTY.
	1000W x 500D x 750H LOCKABLE CABINET	4
	2000W x 300D WOODEN DISPLAY SHELF	4
	FLUORESCENT TUBE (FOR FASCIA ONLY)	10
	SPOTLIGHT 13 WATT LED LAMP (YELLOW LIGHT)	4
	LONG ARMED SPOTLIGHT (300MM) 13 WATT LED LAMP (YELLOW LIGHT)	2
	DISPLAY SHOWCASE W/. STICKER FIN. AND 2 X 50W TRACKLIGHT	1
	700W x 700D x 750H MEETING TABLE	1
	BLACK LEATHER CHAIR	3
	CEILING BEAM	4M
	RUBBISH BIN & CARPET (12sqm.)	